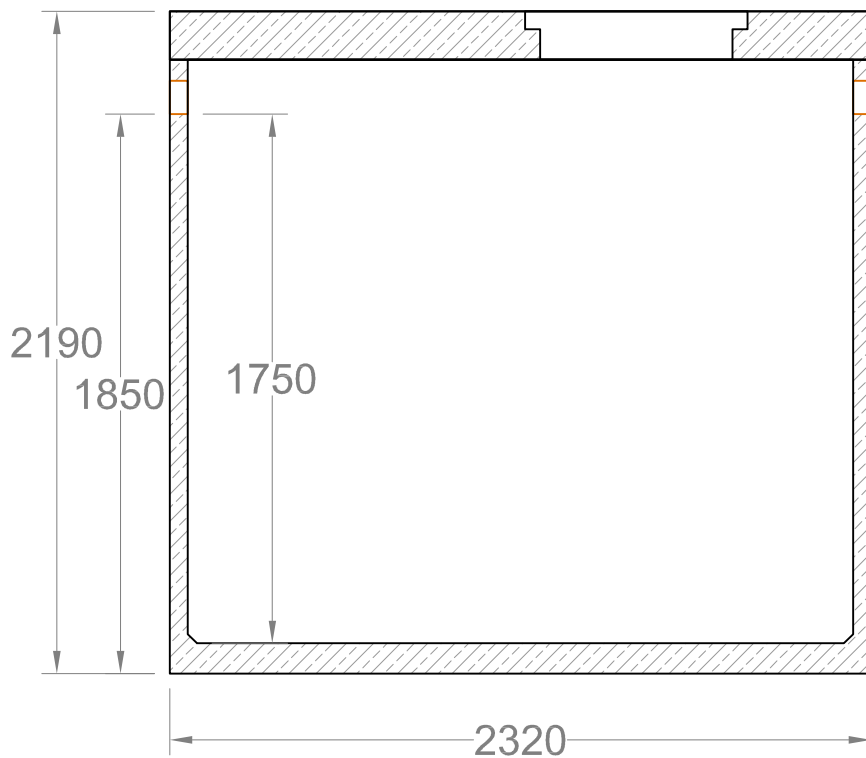
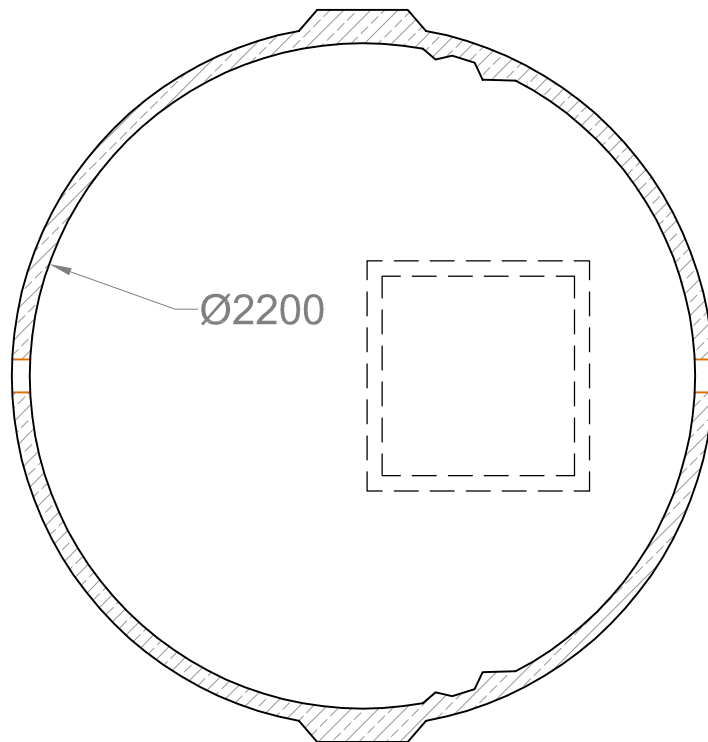


1600 GALLON



SCALE	1 : 25
TANK	1600 GALLONS
DRAWN	WG 02/03/11
THIS DESIGN IS THE PROPERTY OF IRELAND WASTE WATER AND IS SUBJECT TO CHANGE AT ANY TIME.	



CLOVERHILL, BALLYMARTLE,
RIVERSTICK, Co. CORK
T: 021 - 477 1000
F: 021 - 477 1015
E: SALES@IRELANDWASTEWATER.IE